

NYLON CUTTER BUMP FEED EC05



High Durability



Standard

| MALE HEADS | |
|------------|--------------------|
| Model Code | Size |
| E5-08125BL | M8 X P1.25LH male |
| E5-10125BL | M10 X P1.25LH male |

| FEMALE HEADS | |
|--------------|----------------------|
| Model Code | Size |
| E5-08125NL | M8 X P1.25LH female |
| E5-1010NL | M10 X P1.0LH female |
| E5-10125NL | M10 X P1.25LH female |
| E5-1015NL | M10 X P1.5LH female |
| E5-12125NL | M12 X P1.25LH female |
| E5-1215NL | M12 X P1.5LH female |
| E5-12175NL | M12 X P1.75LH female |

Adapter Bolts



M8 X M10
P1.25LH



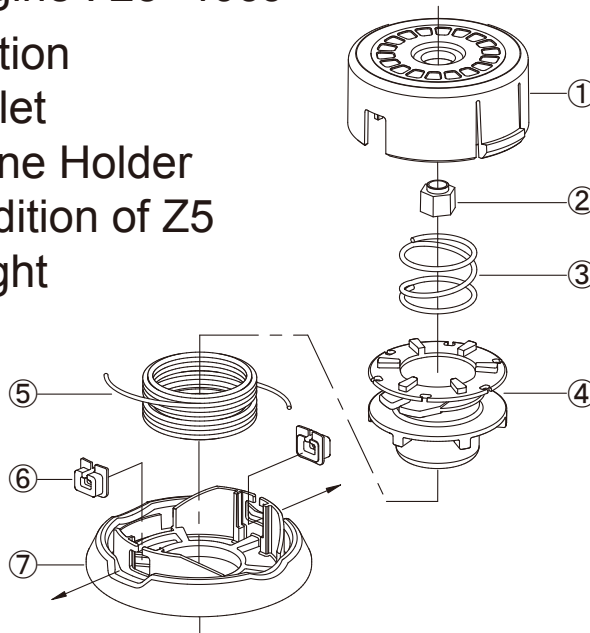
M10 X M10
P1.25LH

If you need other size, please contact us.

BUMP & FEED type

Diameter : 5"
 Weight : 275g
 Spool capacity : $\Phi 2.4 \times$
 Suitable engine : 25~40cc

- * Low Vibration
- * Open Eyelet
- * Divided Line Holder
- * Popular edition of Z5
- * Light Weight



ScrewType

| No. | Parts Name | Q'ty |
|-----|-------------|------|
| ① | Case | 1 |
| ② | Nut | 1 |
| ③ | Spring | 1 |
| ④ | Line Holder | 1 |
| ⑤ | Nylon Line | 1 |
| ⑥ | Eyelet | 2 |
| ⑦ | Cover | 1 |