

# NYLON CUTTER BUMP FEED EC04





High Durability



Standard

MALE HEADS	
Model Code	Size
E4-07125BL	M7 X P1.25LH male
E4-08125BL	M8 X P1.25LH male

FEMALE HEADS	
Model Code	Size
E4-08125NL	M8 X P1.25LH female
E4-08125NR	M8 X P1.25RH female
E4-1010NL	M10 X P1.0LH female
E4-10125NL	M10 X P1.25LH female
E4-10125NR	M10 X P1.25RH female
E4-1015NL	M10 X P1.5LH female
E4-3824NR	3/8" X 24RH female

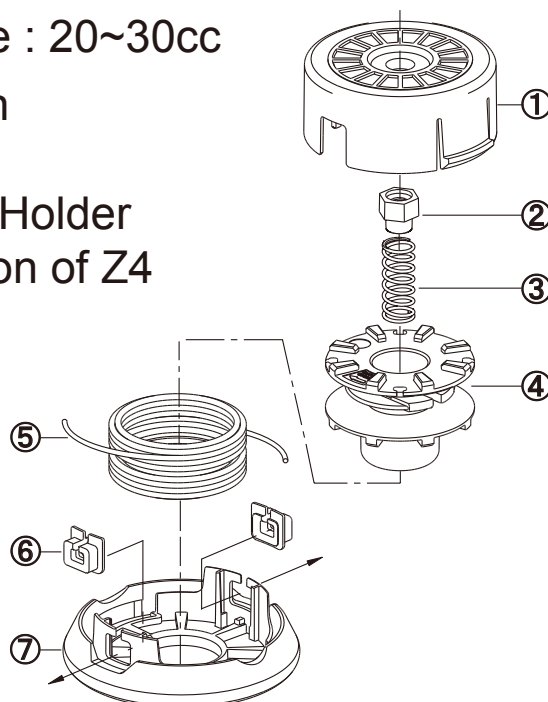
Adapter Bolts	
 M10 X M7 P1.25LH	 M8 X M8 P1.25LH

If you need other size, please contact us.

## BUMP & FEED type

Diameter : 4"  
Weight : 185g  
Spool capacity :  $\Phi 2.4 \times 6m$   
Suitable engine : 20~30cc

- \* Low Vibration
- \* Open Eyelet
- \* Divided Line Holder
- \* Popular edition of Z4
- \* Light Weight



## ScrewType

No.	Parts Name	Q'ty
①	Case	1
②	Nut	1
③	Spring	1
④	Line Holder	1
⑤	Nylon Line	1
⑥	Eyelet	2
⑦	Cover	1