

AUTOMATIC FEED NYLON CUTTER



WONDER AUTO 5



Diameter: 5"
 Weight: 300g
 Spool capacity: 2.4 x 4.3m
 Suitable Engine: 24~45cc
 * Automatic Line Feed
 * Thin Shape
 * Low Vibration
 * Open Spool - No melting
 * Easy Loading Line
 - Loads without opening

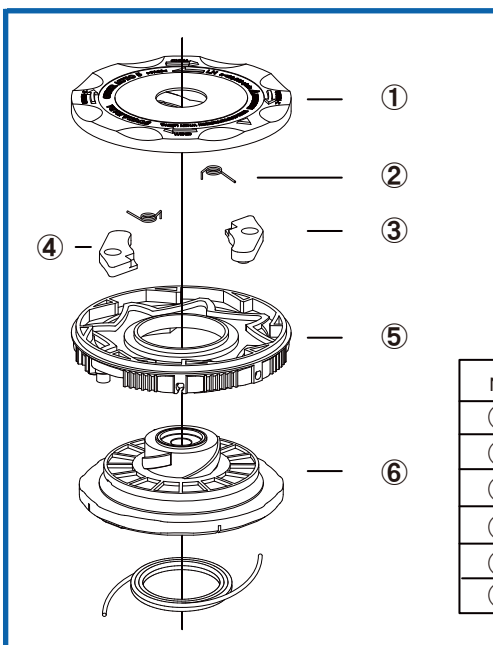
FEMALE HEADS	
Model Code	Size
WA5-08125NL	M8 X P1.25LH female
WA5-1010NL	M10 X P1.0LH female
WA5-10125NL	M10 X P1.25LH female
WA5-1015NL	M10 X P1.5LH female
WA5-12125NL	M12 X P1.25LH female
WA5-1215NL	M12 X P1.5LH female
WA5-12175NL	M12 X P1.75LH female

MALE HEADS	
Model Code	Size
WA5-08125BL	M8 X P1.25LH male
WA5-10125BL	M10 X P1.25LH male

Adapter Bolts	
	M8 x P1.25LH X M10 x P1.25LH
	M10 x P1.25LH X M10 x P1.25LH

UNIVERSAL HEADS	
Model Code	Size
WA5-UNVF	Universal

If you need other size, please contact us.



No	Part Name	Q'ty
①	Cover	1
②	Spring	2
③	Main swing block	1
④	Sub swing block	1
⑤	Gear plate	1
⑥	Line holder	1
⑦	Nut	1

No	Part Name	Q'ty
①	Cover	1
②	Spring	2
③	Main swing block	1
④	Sub swing block	1
⑤	Gear plate	1
⑥	Line holder	1

